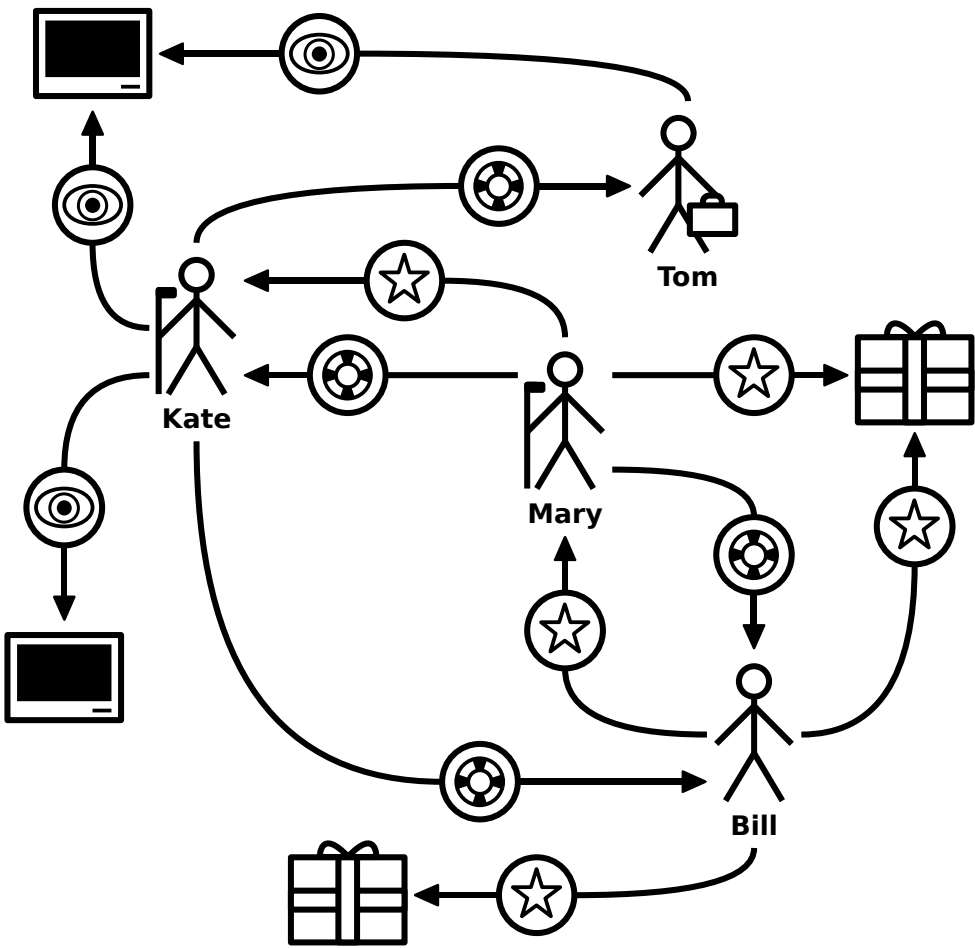


Mini World



Legend

- person
- golfer
- traveler
- present
- TV
- sees
- admires
- helps